

CAUTION

LASER RADIATION – DO NOT
STARE INTO BEAM

620-690nm/0.95mW max.
CLASS II LASER PRODUCT

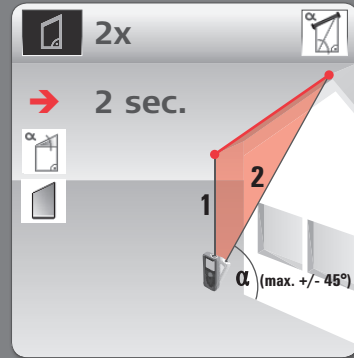
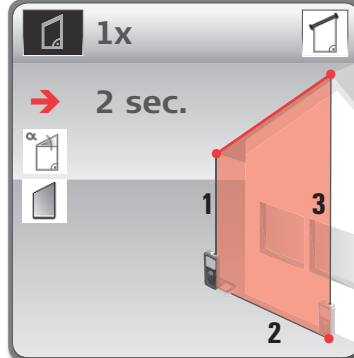
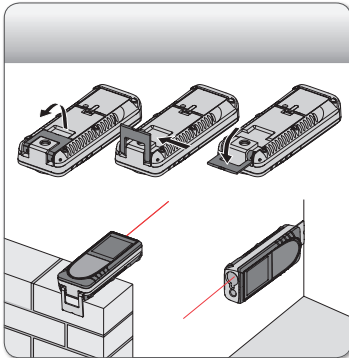
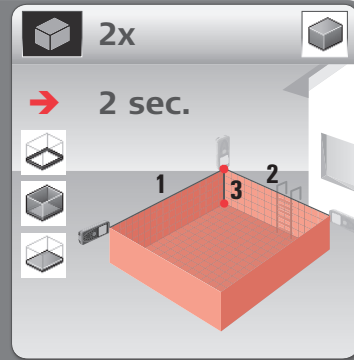
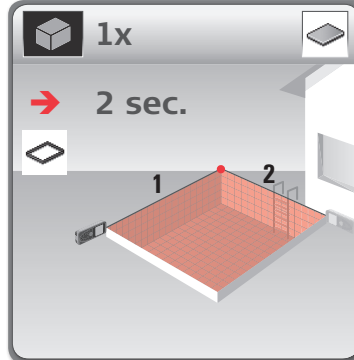
Laser class II
in accordance with
FDA 21CFR Ch.1 § 1040

Laser class 2
in accordance with
IEC 60825-1 and EN 60825-1

www.disto.com

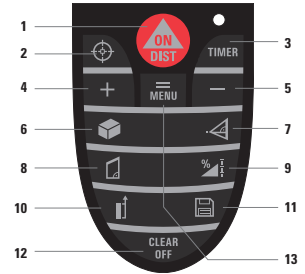


SAP. No. 766552



QUICKSTART

Leica DISTO™ D5



Buttons

- 1 ON / DIST (On / measuring)
- 2 Digital Pointfinder
- 3 Timer
- 4 Plus (+)
- 5 Minus (-)
- 6 Area / volume
- 7 Indirect measurement (Pythagoras)
- 8 Trapezium
- 9 Functions
- 10 Reference
- 11 Storage / Memory
- 12 Clear / Off
- 13 Menu / Equal

- when it has to be **right**

Leica
Geosystems

1x

→ 2 sec.

2x

→ 2 sec.

3x

→ 2 sec.

2 sec. save constant

1x recall constant

2x ... history (1-20)

CLEAR OFF + delete history

1x

max. +45°

max. -45°

2x

→ 2 sec.

3x

→ 2 sec.

$A=A_1+A_2+A_3$

4x

$a \neq b$

$a=1,00m$ $b=0,75m$

$a=b$

$a=1,00m$ $b=1,00m$